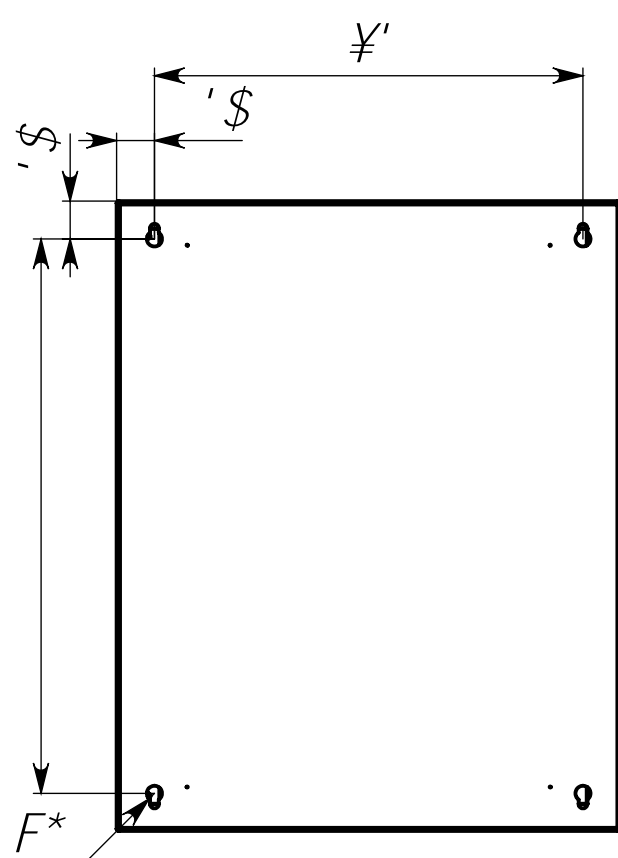
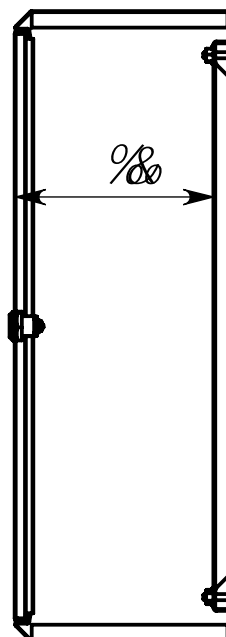
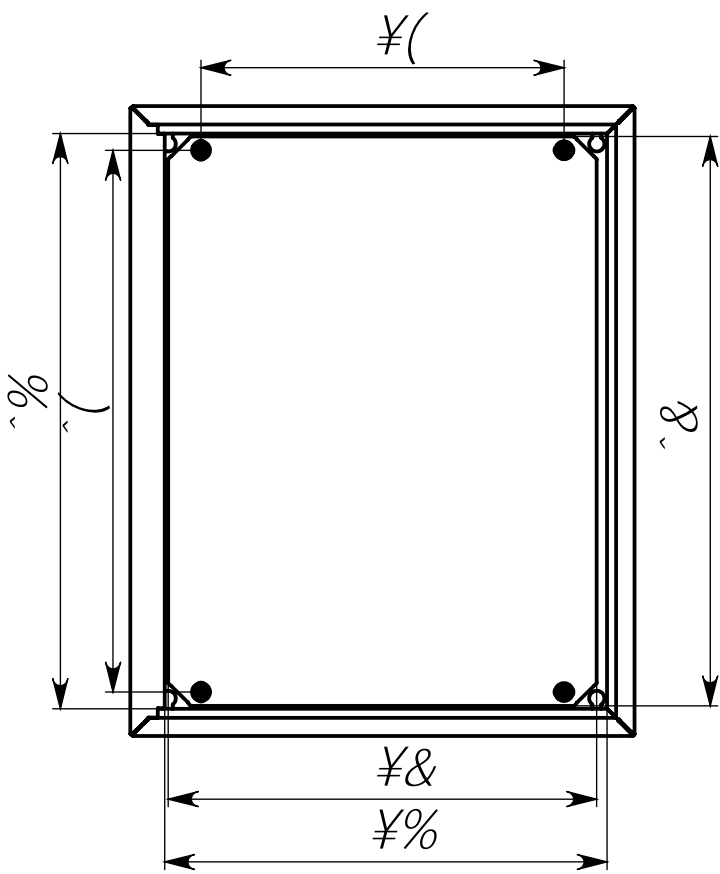
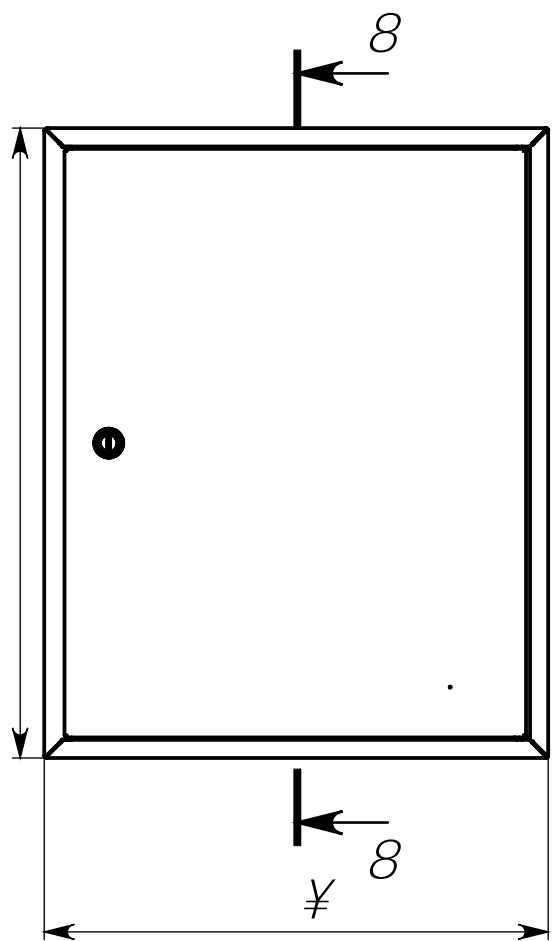


$\mu \pm 3/4 \pm 1/2$

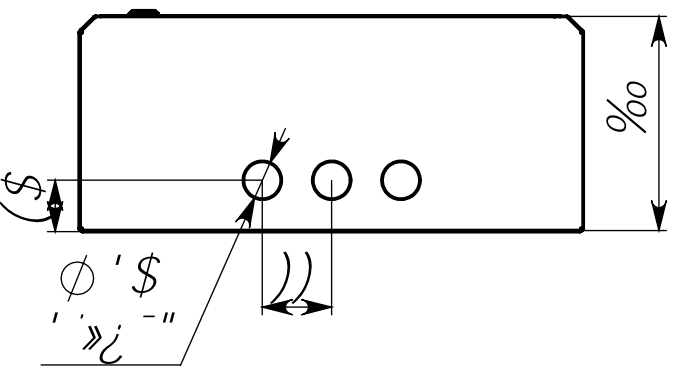
$\mu \pm 2 \pm 1/2$

$2A^{20} \mu^2$
88

$\mu \pm 3/4 \pm 1/2$



$\mu \pm 3/4 \pm 1/2$



$\mu \pm 3/4 \pm 1/2$
 $\mu \pm 2 \pm 1/2$
 $\mu \pm 1/2$
 $\mu \pm 3/4 \pm 1/2$
 $\mu \pm 2 \pm 1/2$
 $\mu \pm 3/4 \pm 1/2$

